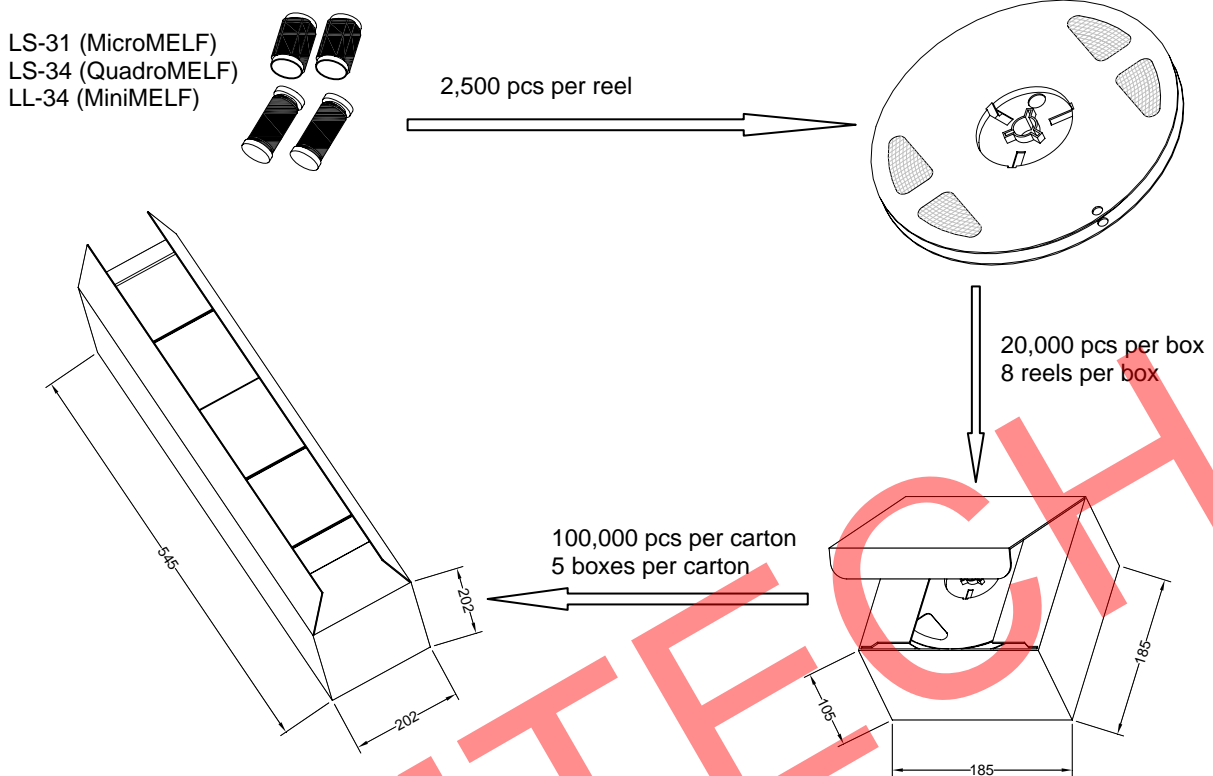


# Packaging Specifications for Surface Mounted Glass Diodes

1. The method of packaging and dimension are shown as below figure. (Dimension in mm)



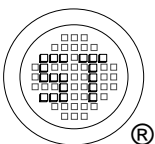
## 2. Label

2.1 The information of inner box label must be listed: (Description of a sample lable)

- |       |                      |                                 |
|-------|----------------------|---------------------------------|
| 2.1.1 | TYPE LL4148          | means (Product) TYPE (Part No.) |
| 2.1.2 | QTY 20,000 PCS       | means (Product) Quantity (QTY)  |
| 2.1.3 | D/C SLOB4H0107SA-B G | means Dice Lot No. / Code (D/C) |
| 2.1.4 | P/C 30127639A S 152  | means Production Code (P/C)     |
| 2.1.5 | RMK 80126 PX KK NC   | means Manufacturing Date (RMK)  |

2.2 The information of carton label must be listed:

- 2.2.1 TYPE
- 2.2.2 QTY



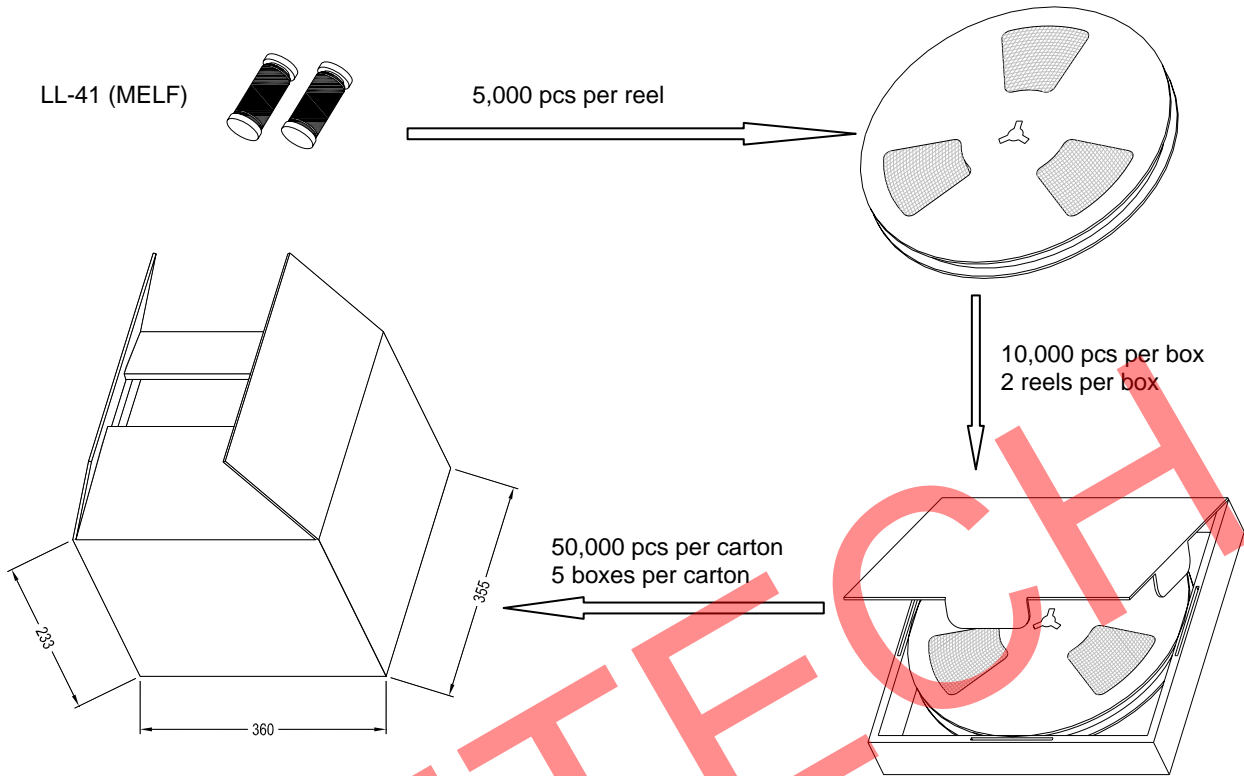
**SEMTECH ELECTRONICS LTD.**  
Subsidiary of Sino-Tech International (BVI) Limited



Dated : 22/11/2010 Rev:01

# Packaging Specifications for Surface Mounted Glass Diodes

1. The method of packaging and dimension are shown as below figure. (Dimension in mm)



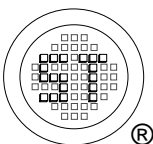
## 2. Label

2.1 The information of inner box label must be listed: (Description of a sample lable)

- |       |                          |                                 |
|-------|--------------------------|---------------------------------|
| 2.1.1 | <b>TYPE ZM4733A</b>      | means (Product) TYPE (Part No.) |
| 2.1.2 | <b>QTY 10,000 PCS</b>    | means (Product) Quantity (QTY)  |
| 2.1.3 | <b>D/C TT0D5G0725Z</b>   | means Dice Lot No. / Code (D/C) |
| 2.1.4 | <b>P/C 400063614 150</b> | means Production Code (P/C)     |
| 2.1.5 | <b>RMK 80126 PX</b>      | means Manufacturing Date (RMK)  |

2.2 The information of carton label must be listed:

- 2.2.1 TYPE
- 2.2.2 QTY



**SEMTECH ELECTRONICS LTD.**  
Subsidiary of Sino-Tech International (BVI) Limited



Dated : 22/11/2010 Rev:01