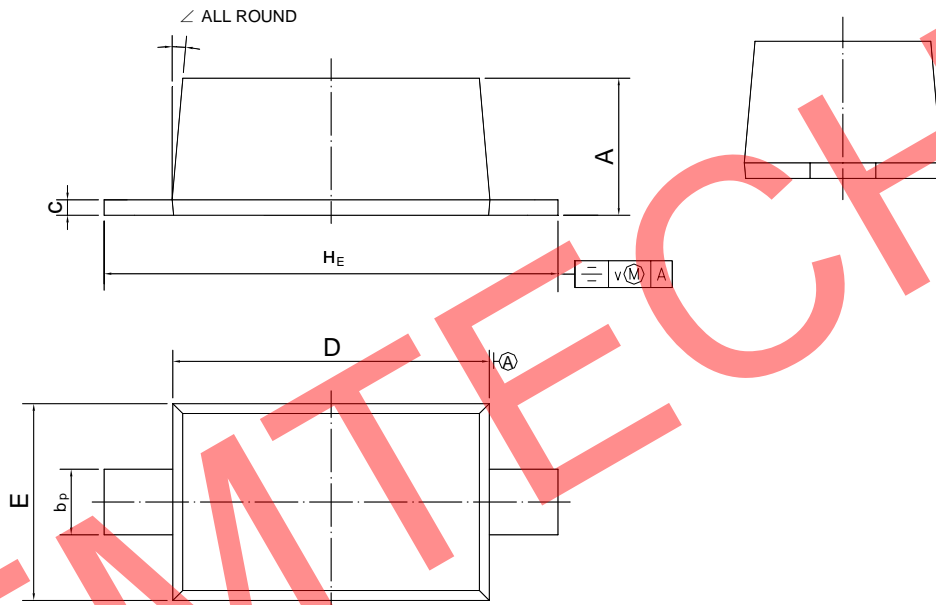
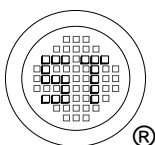


SOD-123 Package Outline

Plastic surface mounted package; 2 leads



UNIT	A	b _p	c	D	E	H _E	v	∠
mm	1.15 1.05	0.6 0.5	0.135 0.100	2.7 2.6	1.65 1.55	3.85 3.55	0.2	5°



SEMTECH ELECTRONICS LTD.
Subsidiary of Sino-Tech International (BVI) Limited

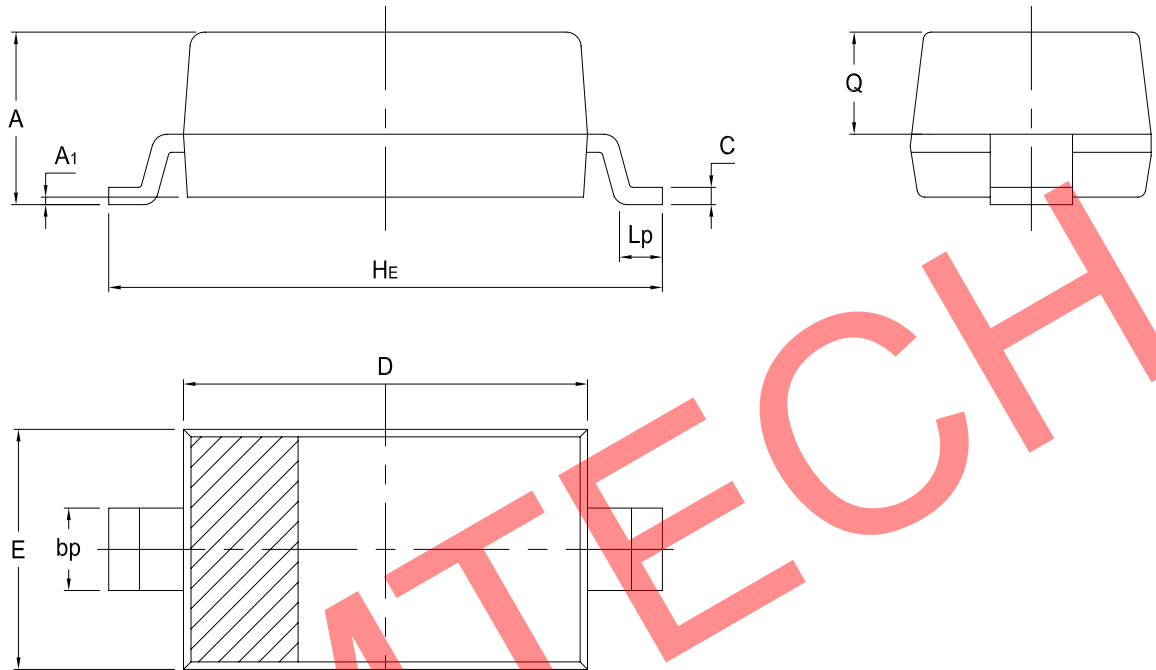


Dated : 25/03/2011

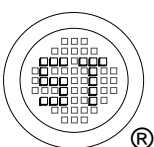
SOD-123 Package Outline (Bend Lead)

Plastic surface mounted package; 2 leads

SOD-123(BEND LEAD)



UNIT	A	A ₁	bp	C	D	E	H _E	L _p	Q
mm	1.21	0.1	0.7	0.14	2.7	1.7	3.8	0.4	0.65
	0.91	0	0.5	0.08	2.54	1.5	3.5	0.2	0.55



SEMTECH ELECTRONICS LTD.
Subsidiary of Sino-Tech International (BVI) Limited



Dated: 01/04/2013 Rev: 01