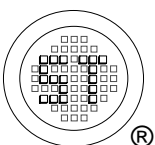
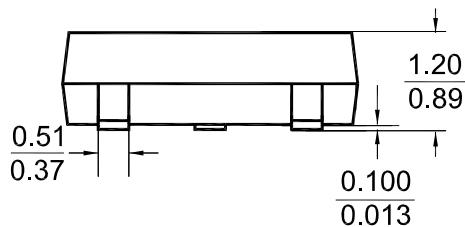
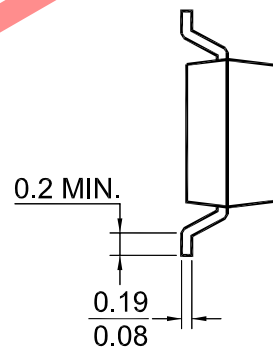
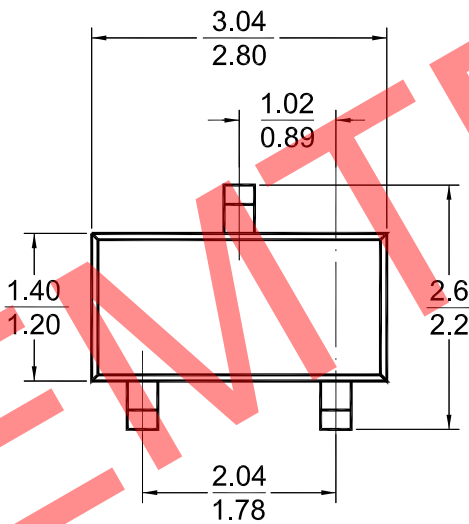
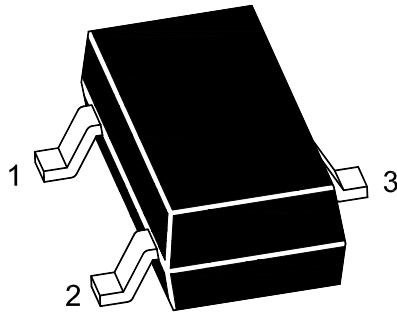


SOT-23 Package Outline

Package Outline Dimensions (Units: mm)



SEMTECH ELECTRONICS LTD.
Subsidiary of Sino-Tech International (BVI) Limited



Dated : 23/10/2010 Rev:01