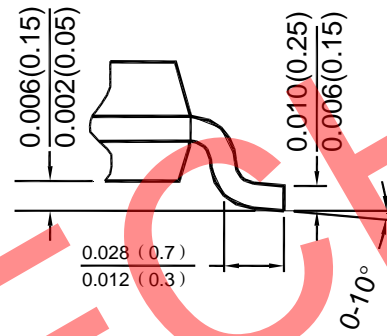
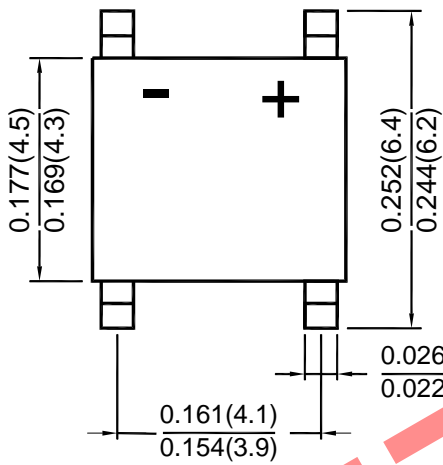
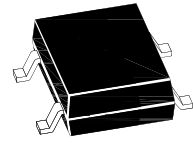
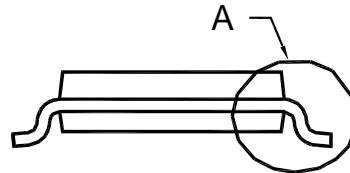
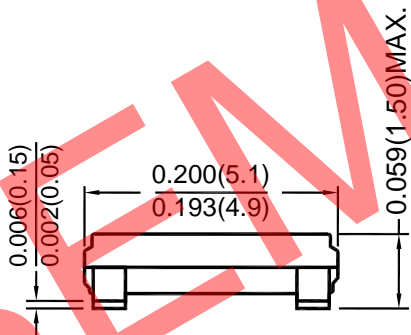


# LBF Package Outline

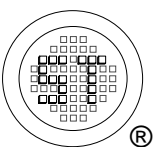
Plastic surface mounted package; 4 leads



DETAIL: "A"  
SCALE: 2:1



Dimensions in inches and (millimeters)



**SEMTECH ELECTRONICS LTD.**  
Subsidiary of Sino-Tech International (BVI) Limited



Dated : 10/06/2013 Rev: 01